

# Valves series A1

## 1/8", 3/2, electrically operated



Standard executions			
Version	Symbol	Code	Item
3/2 NC		034003	A1E130
3/2 NO		034004	A1E131
3/2 solenoid/solenoid		034005	A1E132
3/2 NC external air pilot		034006	A1K130
3/2 solenoid/solenoid external air pilot		034007	A1K132



On request, they can be supplied according to 2014/34/EU - **ATEX**

Options	Suffix
Low temperature seals (-25 ÷ +60°C)	<b>BT</b>

Series of spool valves, with static seals, high flow, for panel or sub-base mounting.

Coils and connectors have to be ordered separately.

For the coils type ASA12...

see page 2.200.1

For the connectors type A122...

see page 2.210.20

For the sub-bases type A1B1...

see page 2.65.1

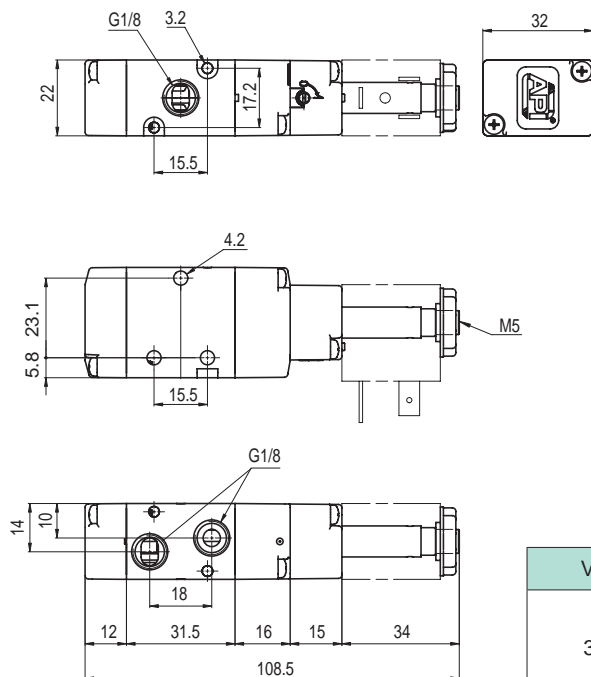
### Code key

Series	Actuation	Size	Function	Options
A1	E = electrical K = electrical with external air pilot	1 = 1/8"	30 = 3/2 NC 31 = 3/2 NO 32 = 3/2 sol./sol.	BT = low temp. seals

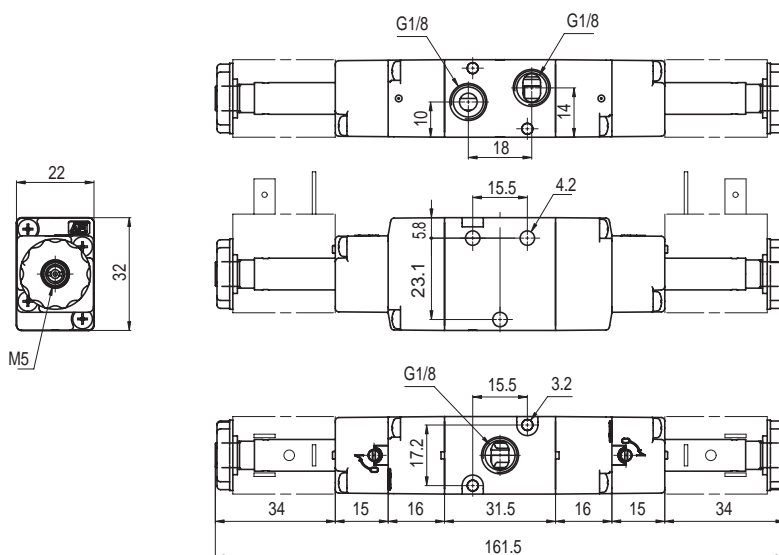
Technical data			
Fluid	Compressed filtered air with or without lubrication. Lubrication, if started, must be continued.		
Pressure range	Spring return: 1,5 ÷ 10 bar	Bistable: 1 ÷ 10 bar	
Temperature range	-10°C ÷ +60°C (standard)	-25°C ÷ +60°C (BT)	
Orifice	6,5 mm		
Flow	650 NI/min a 6 bar con ΔP 1 bar		
Minimum external air pressure	1,5 bar		
Mounting	In any position		
Manual override	Bistable		
Response time (at 6 bar)	solenoid/spring		solenoid/solenoid
	Energising: 35 ms	De-energising: 15 ms	Energising: 20 ms De-energising: 20 ms
Materials	Body:	Anodised aluminium	
	Covers:	Hostaform C 13031	
	Spool:	Hard aluminium anodized	
	Distancers:	Ixef 1022	
	Seals:	Hydrogenated Nitrile Butadiene Rubber (HNBR)	



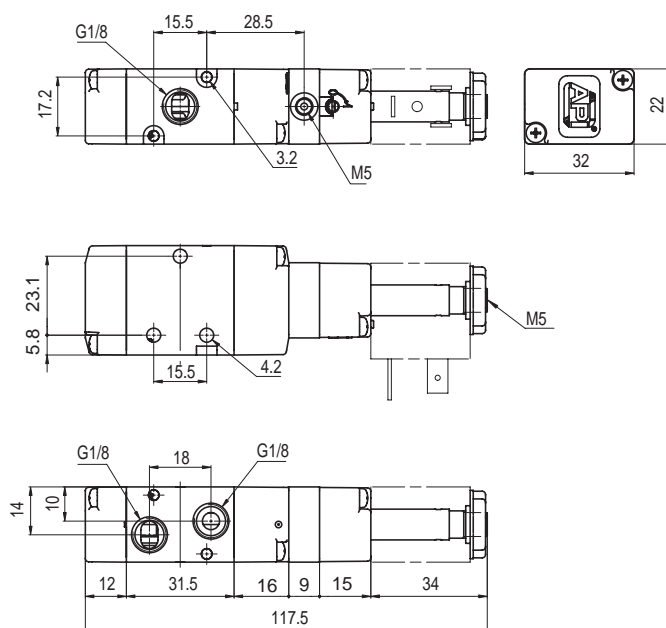
Valves series A1  
1/8", 3/2, electrically operated



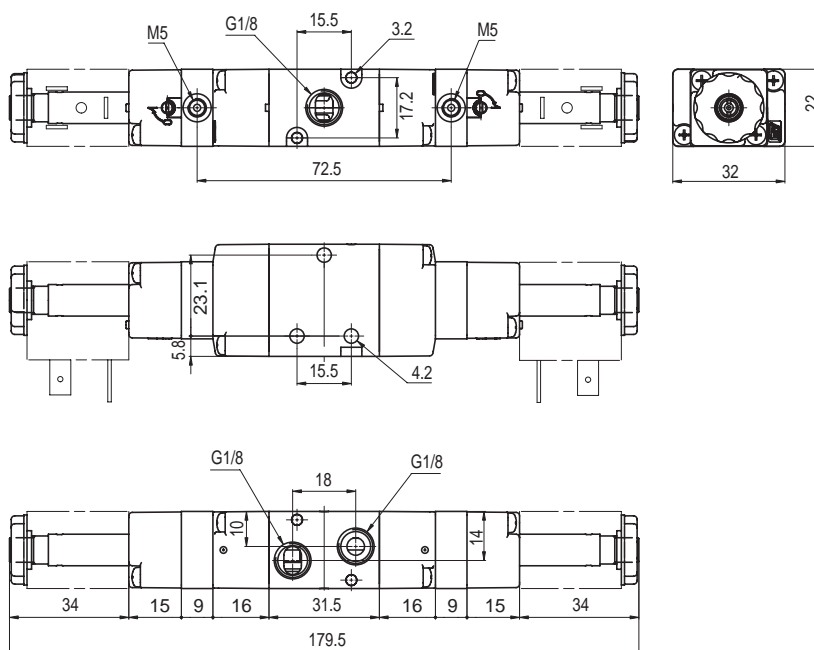
Version	Symbol	Code	Item
3/2 NC		034003	A1E130
3/2 NO		034004	A1E131



Version	Symbol	Code	Item
3/2 solenoid/solenoid		034005	A1E132



Version	Symbol	Code	Item
3/2 NC external air pilot		034006	A1K130



Version	Symbol	Code	Item
3/2 solenoid/solenoid external air pilot		034007	A1K132